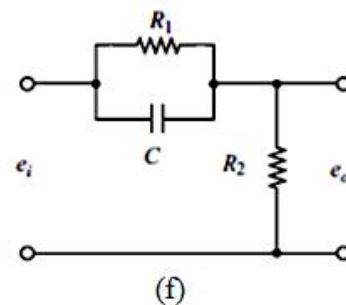
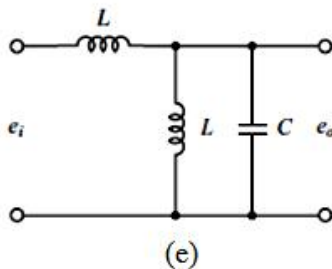
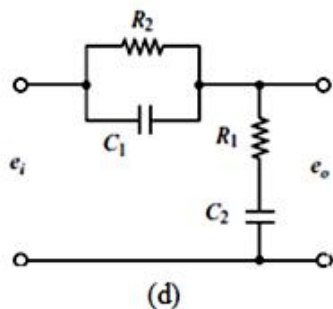
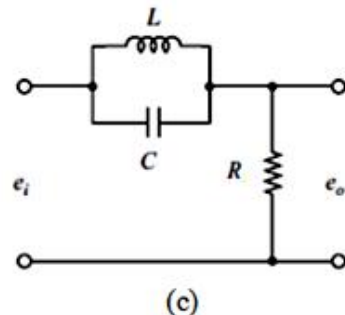
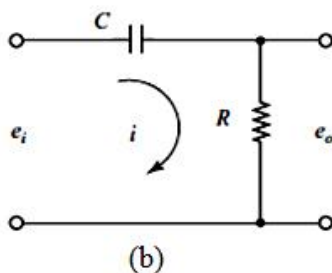
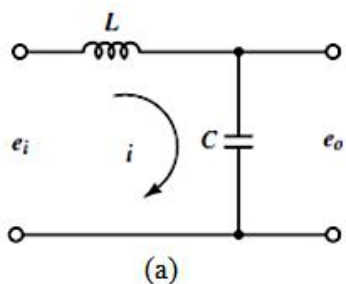


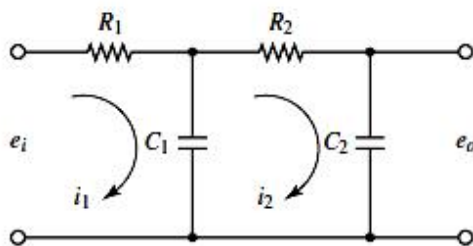


Sheet (2)

1- For the following circuits e_i and e_o are in time domain, Determine the transfer function $E_o(s)/E_i(s)$ of each circuit and draw its block diagram.



2- Determine the transfer function $E_o(s)/E_i(s)$ of the two simple lag networks connected in series as shown in figure and draw the block diagram



3- Find the loop equations for the circuit shown in figure and then draw the block diagram.

